

THE COPYRIGHT IN THIS WORK IS VESTED IN THISTLE DESIGN (MMC) LIMITED AND THE DOCUMENT IS ISSUED IN CONFIDENCE FOR THE PURPOSE ONLY FOR WHICH IT IS SUPPLIED. IT MUST NOT BE REPRODUCED IN WHOLE OR IN PART OR USED FOR TENDERING OR MANUFACTURING PURPOSES EXCEPT UNDER AGREEMENT OR WITH THE CONSENT IN WRITING OF THISTLE DESIGN (MMC) LIMITED AND THEN ONLY ON THE CONDITION THAT THIS NOTICE IS INCLUDED IN ANY SUCH REPRODUCTION

3RD ANGLE PROJECTION

DIMENSIONS IN MM / INCHES

Supply :- +24V d.c. at 80mA max. excluding cable drive current of 160mA max.

Outputs :- A & \bar{A} +5V (nom) Complementary signals from line driver National type DS26LS31

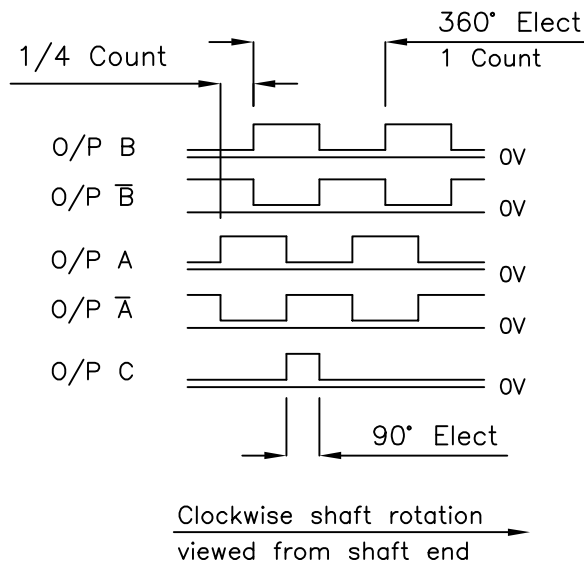
B & \bar{B} Are as above, but B lags A by 90° nominal
(see typical output waveform diagram)

C +5V (nom.) signal from line driver, National type DS26LS31
One pulse per revolution. Output length will be 90° electrical.
(see output waveform diagram)


All outputs fitted with 1K pull up resistor to +5V.

Termination :- 2 Metres of 7 core 19/0.15mm LFH sheathed screened cable to
DEF STAN 61-12 part 25 Table 1H (NSN 6145-99-892-0048)

Line Receiver :- DS26LS32 recommended for greater noise immunity



TYPICAL OUTPUT WAVEFORM

A	14.07.2005				
ISSUE	DATE	ALTERATION		APPD	
PROD DRG No.		 THISTLE DESIGN LOANHEAD SCOTLAND		DRN	DATE
THIS SPECIFICATION IS ISSUED BY THISTLE DESIGN (MMC) LIMITED TO DEFINE THE ELECTRICAL, MECHANICAL AND ENVIRONMENTAL CHARACTERISTICS OF THE COMPONENT COVERED BY THE SPECIFICATION NUMBER GIVEN HERE-ON. ANY PARAMETER NOT DEFINED HERE-ON MAY NOT BE INFERRED FROM ANY OTHER DOCUMENT ISSUED BY THISTLE DESIGN (MMC) LIMITED.					
TITLE				SPEC No.	
35HI Series Incremental Encoder – Electrical				35hi-elec.pdf	