

THE COPYRIGHT IN THIS WORK IS VESTED IN THISTLE DESIGN (MMC) LIMITED AND THE DOCUMENT IS ISSUED IN CONFIDENCE FOR THE PURPOSE ONLY FOR WHICH IT IS SUPPLIED. IT MUST NOT BE REPRODUCED IN WHOLE OR IN PART OR USED FOR TENDERING OR MANUFACTURING PURPOSES EXCEPT UNDER AGREEMENT OR WITH THE CONSENT IN WRITING OF THISTLE DESIGN (MMC) LIMITED AND THEN ONLY ON THE CONDITION THAT THIS NOTICE IS INCLUDED IN ANY SUCH REPRODUCTION

3RD ANGLE PROJECTION

DIMENSIONS IN MM / INCHES

Supply :- +4.75V to +15V d.c.

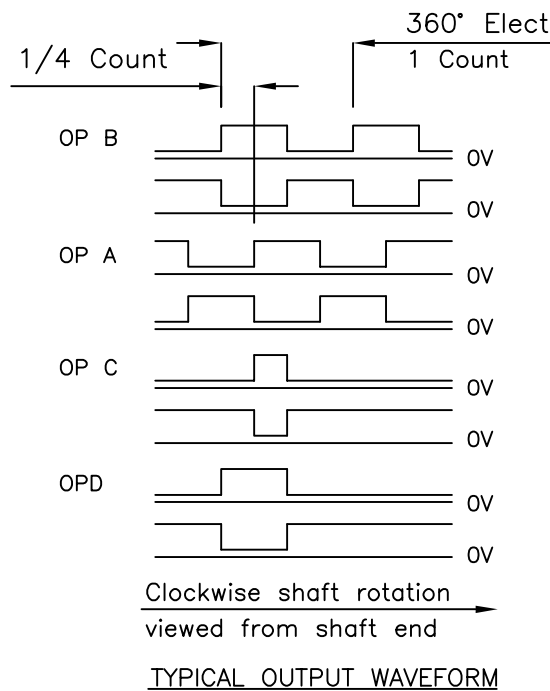
Outputs :- A & \bar{A} Complementary signals from CMOS line driver. National type MM88C30

B & \bar{B} Are as above, but B leads A by 90° nominal
(see typical output waveform diagram)

C & \bar{C} Complimentary signals from CMOS line driver, National type MM88C30.
One pulse per revolution. Edges will coincide with the edges of outputs A and B within $\pm 0.1\mu$ seconds. (see output waveform diagram)

D & \bar{D} As output C but edges will coincide with the edges of output B within 0.1 μ seconds. (see output waveform diagram)

Line Receiver :- National type MM74C909 or DS7820 recommended for greater noise immunity



A	11.07.2005		
ISSUE	DATE	ALTERATION	APPD
PROD DRG No.		THISTLE DESIGN LOANHEAD SCOTLAND	DRN DATE
THIS SPECIFICATION IS ISSUED BY THISTLE DESIGN (MMC) LIMITED TO DEFINE THE ELECTRICAL, MECHANICAL AND ENVIRONMENTAL CHARACTERISTICS OF THE COMPONENT COVERED BY THE SPECIFICATION NUMBER GIVEN HERE-ON. ANY PARAMETER NOT DEFINED HERE-ON MAY NOT BE INFERRED FROM ANY OTHER DOCUMENT ISSUED BY THISTLE DESIGN (MMC) LIMITED.			
TITLE		SPEC No.	
24SQ Series Incremental Encoder – Electrical		24sq-elec.pdf	