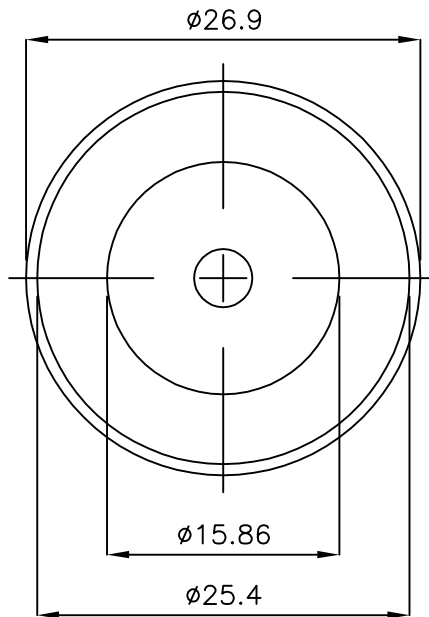
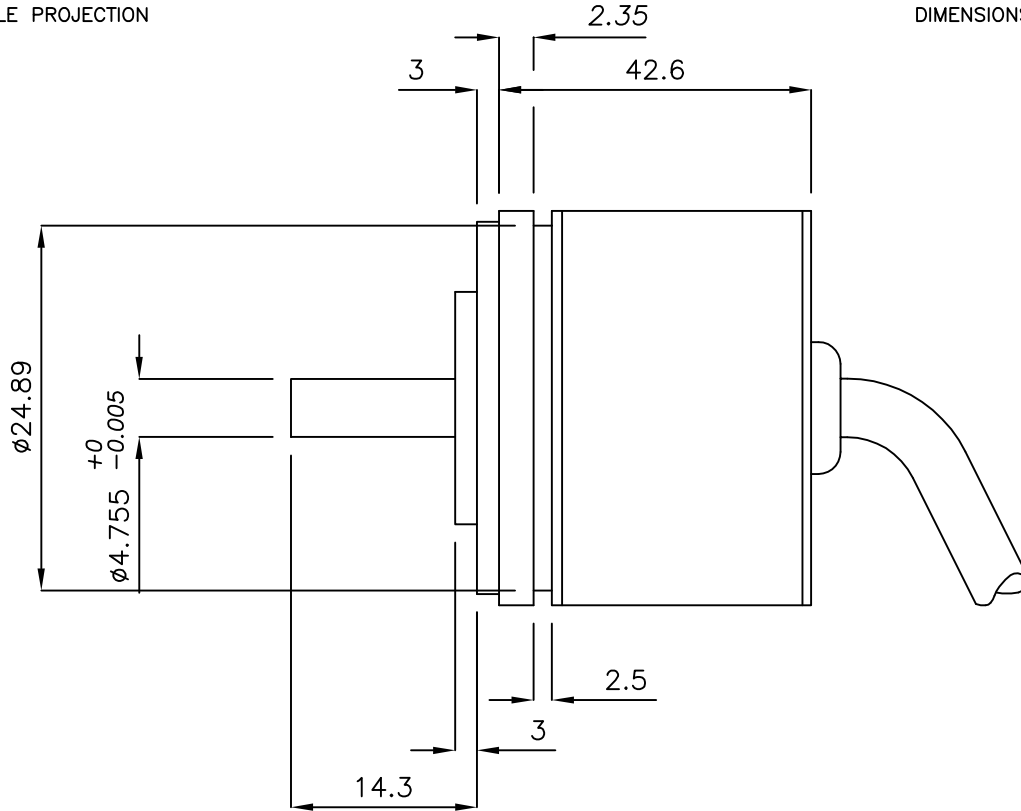



THE COPYRIGHT IN THIS WORK IS VESTED IN THISTLE DESIGN (MMC) LIMITED AND THE DOCUMENT IS ISSUED IN CONFIDENCE FOR THE PURPOSE ONLY FOR WHICH IT IS SUPPLIED. IT MUST NOT BE REPRODUCED IN WHOLE OR IN PART OR USED FOR TENDERING OR MANUFACTURING PURPOSES EXCEPT UNDER AGREEMENT OR WITH THE CONSENT IN WRITING OF THISTLE DESIGN (MMC) LIMITED AND THEN ONLY ON THE CONDITION THAT THIS NOTICE IS INCLUDED IN ANY SUCH REPRODUCTION

3RD ANGLE PROJECTION

DIMENSIONS IN MM / INCHES



A		19.07.2005			
ISSUE	DATE	ALTERATION			APPD
PROD DRG No.		 THISTLE DESIGN		LOANHEAD SCOTLAND	DRN DATE
THIS SPECIFICATION IS ISSUED BY THISTLE DESIGN (MMC) LIMITED TO DEFINE THE ELECTRICAL, MECHANICAL AND ENVIRONMENTAL CHARACTERISTICS OF THE COMPONENT COVERED BY THE SPECIFICATION NUMBER GIVEN HERE-ON. ANY PARAMETER NOT DEFINED HERE-ON MAY NOT BE INFERRED FROM ANY OTHER DOCUMENT ISSUED BY THISTLE DESIGN (MMC) LIMITED.					
TITLE				SPEC No.	
11Z Series Absolute Encoder – Dimensions				11z-dim.pdf	